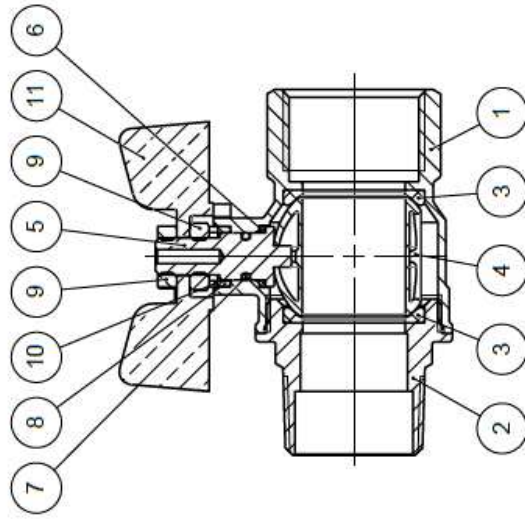
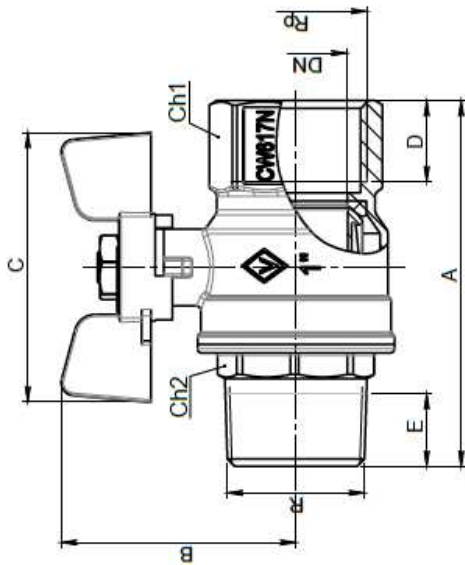
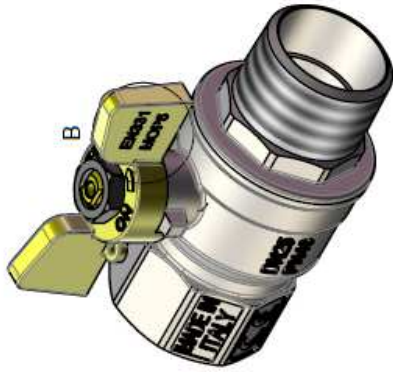


DETTAGLIO B



ART. 565G

Forged brass ball valve, full port, M-F with aluminium T-handle, Mis. from 1/2" to 1 1/4"

SPECIFICATION

Series	500
Thread ends	Male-Female: UNI EN 10226 from 15 to 32 mm
Orifice	90° rotation with mechanical stop
Operator	Aluminium T-handle
APPLICATION	
Assembly in rigid pipe system	
Nominal pressure (PN) in bar: MOP5	
Temperature range: -20 °C / +60°C	
Use: Gas	

N°	Descrizione	Description	Materials	Treatment	Q.ty
1	Corpo	Body	CW617N	Nickel-Plated	1
2	Manicotto	End connection	CW617N	Nickel-Plated	1
3	Guarnizione Sfera	Ball Seal	PTFE		2
4	Sfera	Ball	CW617N	Ni+Cr	1
5	Perno	Stem	CW614N		1
6	Guarnizione inferiore	Lower seal	PTFE		1
7	O-Ring	O-Ring	NBR		1
8	Guarnizione superiore	Upper seal	PTFE		1
9	Dado	Nut	STEEL	Zinc-Plated	2
10	Rondella	Brass ring	CW614N		1
11	Farfalla	T-handle	ALUMINIUM	Printed	1

Denominazione particolare / Name: **ART. 565G**

Disegnato / Designed by: **A3**

Approvato / Approved by:

Data / Date: **1:1**

Materiali / Material: **CW617N**

Treat. Superficiale / Surface Treat.: **Nickel-Plated**

N° Disegno / Drawing N°: **1/1**

Revisone / Revision: **-**

Peso / Weight: **-**

Misura / Size: **1/2" - 1 1/4"**

Scala / Scale: **1:1**

Foglio / Tab.: **1/1**

Valido per / Available for: **PRODUZIONE**

Grasso / Grease Code: **A3**

Lavorato / Finished Code:

Tornato / Treated Code:

Qualità senza indicazione di tolleranza: **MEDIA UNI-ISO 2768/M**

Rugosità Generale: **3.2**

General Roughness: **3.2**

TDM BRASS

DN	R-Rp	A	B	C	D	E	Ch1	Ch2	KV	PN
15	1/2"	67.5	40.5	53	15	13.5	25	22	16.3	MOP5
20	3/4"	74.5	47	63	16.3	15	31	28	29.5	MOP5
25	1"	86	55	63	19.1	18.5	38	35	43	MOP5
32	1 1/4"	102.5	60	73	21.4	19.1	47	43	89	MOP5